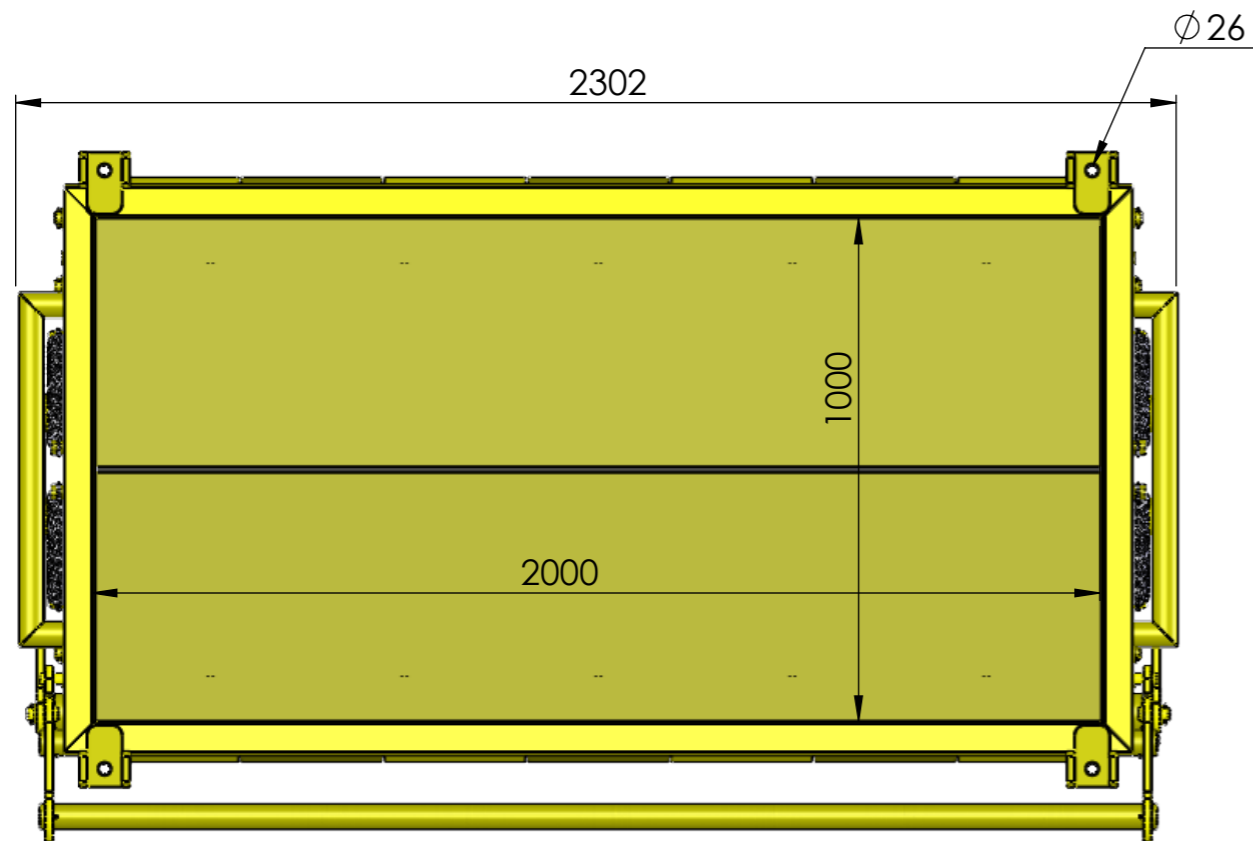
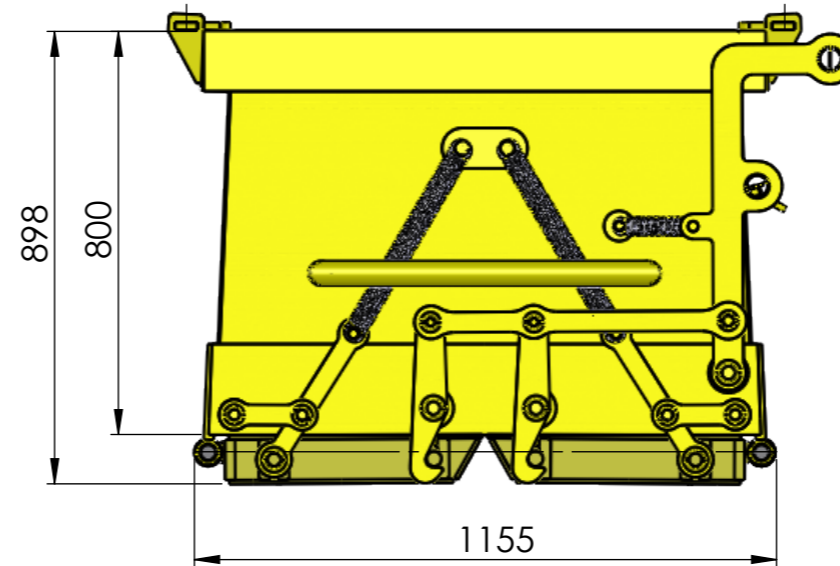
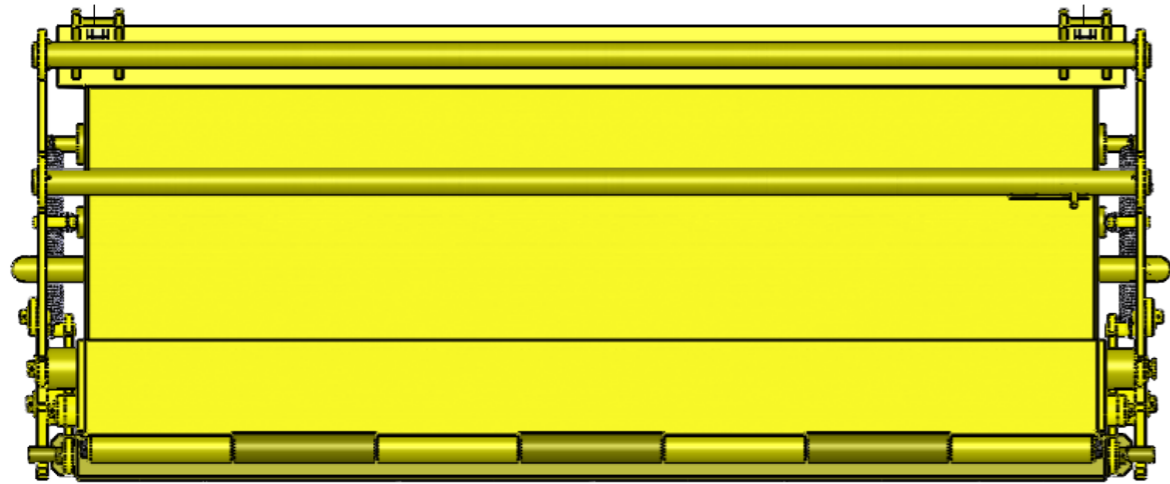
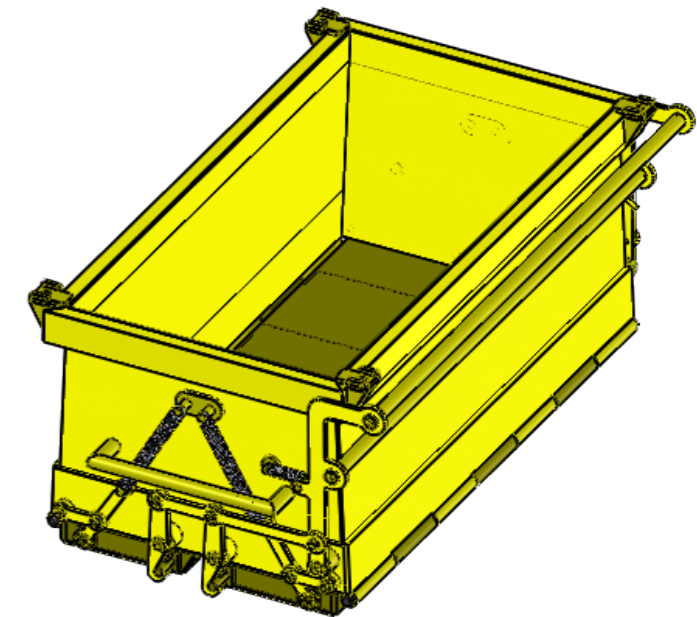


# WLL 2000kg



TECHNICAL DATA		
TYPE	VNZS 2000/2x1	
CODE	.....	
CAPACITY (WLL)	Q(kg)	2 000
LENGHT	L (mm)	2 000
WIDTH	B (mm)	1 000
HEIGHT	H (mm)	800
DEAD WEIGHT	G(kg)	1 030
Nr.OF CYCLES PER YEAR	20 000 c	
ACCORDANCE TO STANDARD	ČSN EN 13155+A2	



CONFIRMATION BY PURCHASER	
We confirm, that we agree with this project.	
Datum:	
Company:	
Name:	
Signature:	

Customer :	LASH&LIFT	Antolerated dimensions	EN ISO 13920-BF ISO 2768-mK
Name :	SCHROTTCONTAINER		
Type :	VNZS 2000/2x1	Coating	RAL 1006, C2M
Drawed by:	Zbyněk Sobotka		
Authorized :	Emil Čuhel		
Nr.of Drawing	511M24		

