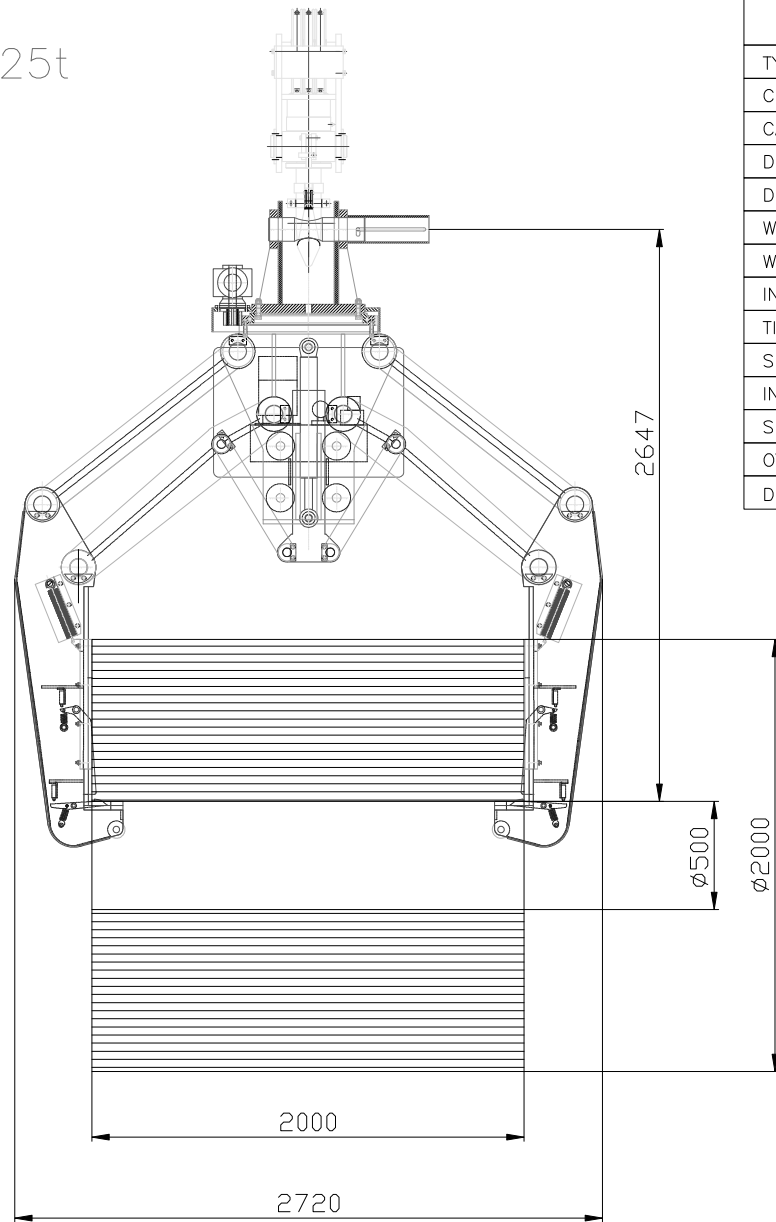
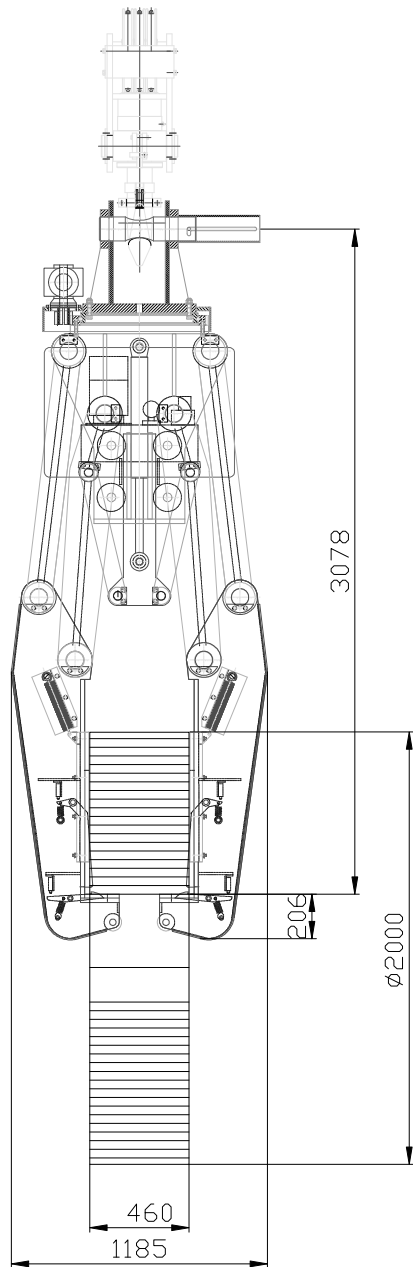


WLL 25t



TECHNICAL DATA		
TYPE	NSHRMD/2 251/0,46-2/0,85	
CODE	
CAPACITY (WLL)	Q (t)	25
DIAMETER OF COIL MAX.	D2 (mm)	2000
DIAMETER OF COIL MIN.	D1 (mm)	800
WIDTH OF COIL MIN.	B1 (mm)	460
WIDTH OF COIL MAX.	B2 (mm)	2000
INTERNAL HEIGHT	H (mm)	850
TIME OF FULL OPENING	(s)	8
SPEED OF SWIVELLING	(1/min.)	1,5
INSTALLED INPUT	P (kW)	3.4
SUPPLY SYSTEM	N+PE+3 400V, 50Hz	
OVERHEAD DIMENSION	t (mm)	2169/2527
DEAD WEIGHT cca	G (kg)	2180

COIL GRIPPER HORIZONTAL WITH PARALLELOGRAM ARM SYSTEM POWERED WITH SWIVELLING
 NOSIC SVITKU HORIZONTALNI RAMENOVY S PARALELOGRAMEM MOTORICKY S NATAZENIM