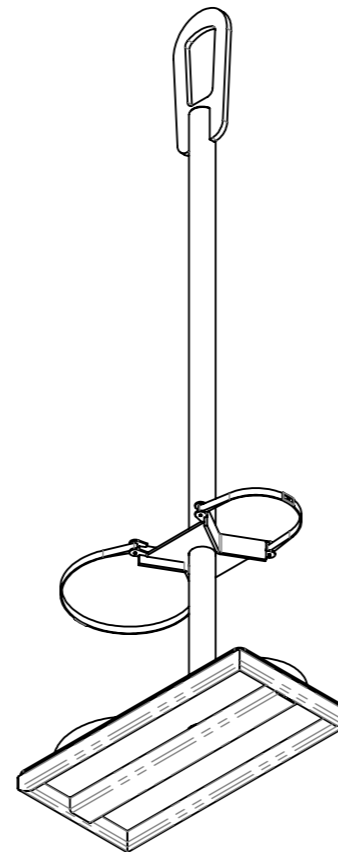
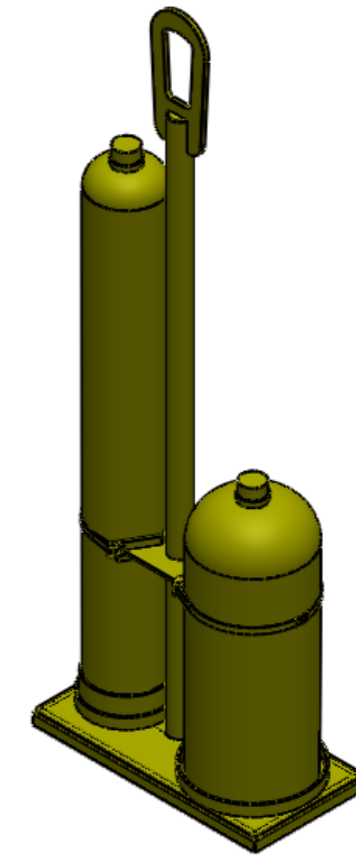
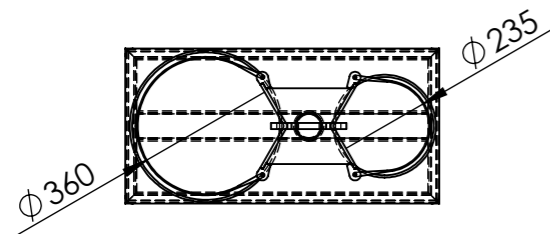
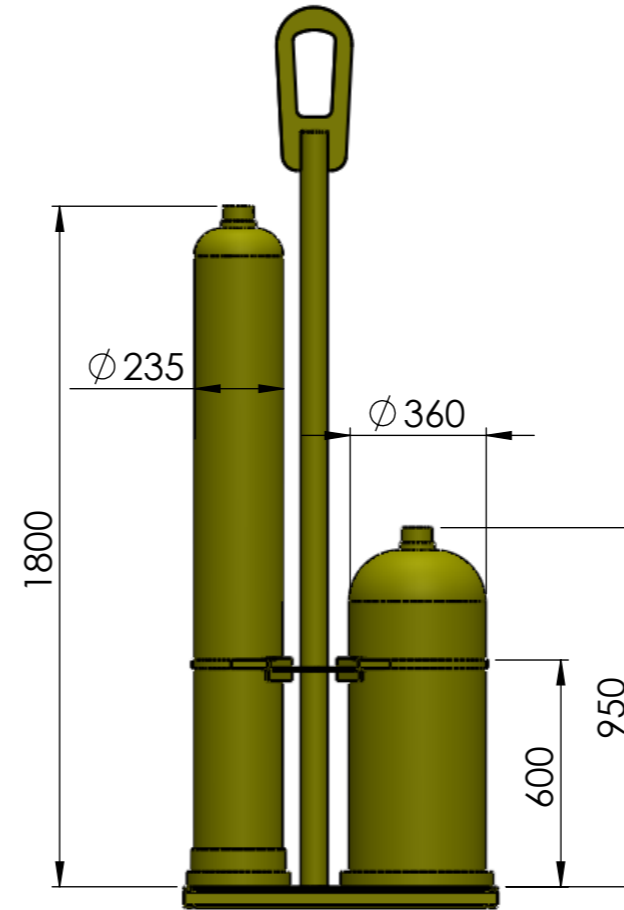
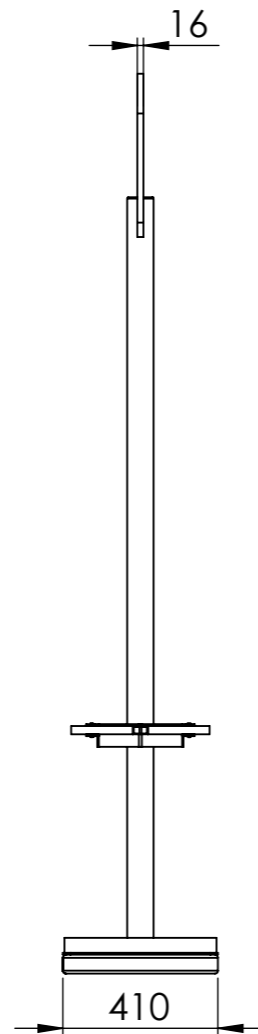
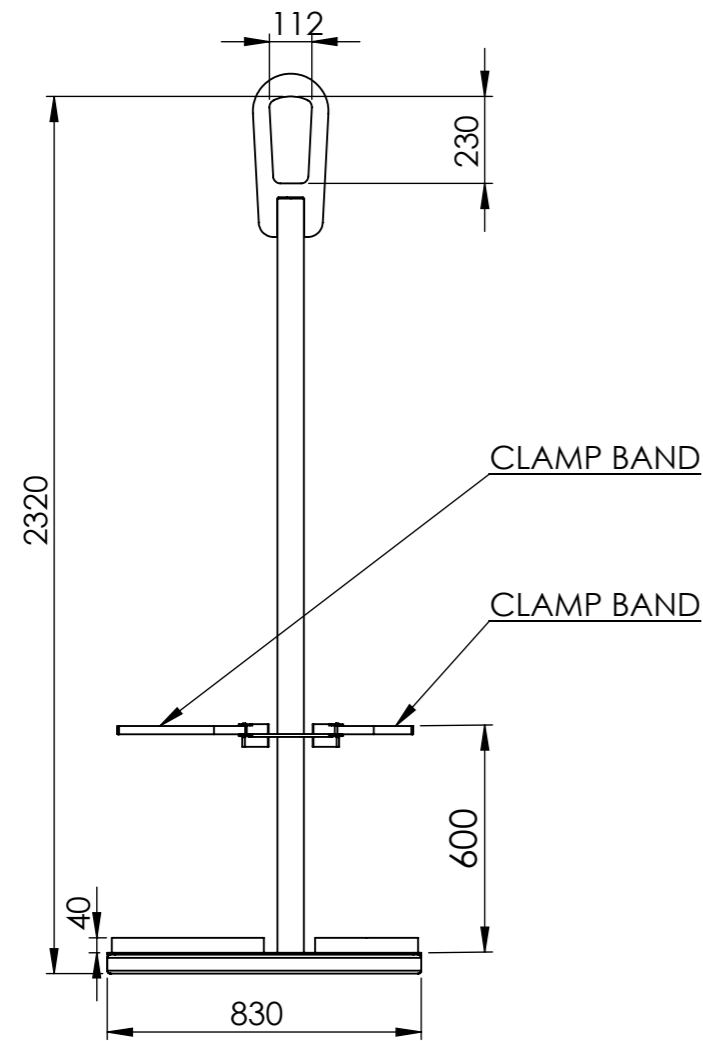


WLL 400 kg



TECHNICAL DATA

TYPE	NLPV2 401/0,232-0,36/1,8	
CODE		
CAPACITY (WLL)	Q(kg)	400
NUMBER OF BOTTLES	n(mm)	2
OVERHEAD DIMENSION	t(mm)	2320
DEAD WEIGHT cca	G(kg)	53
NUMBER OF CYCLES PER LIFE	c (1)	20 000
ACCORDANCE TO STANDARD	EN 13155 + A2	

CONFIRMATION BY PURCHASER

We confirm, that we agree with this project.

Datum:	
Company:	
Name:	
Signature:	

Customer :		Ident.Nr.:	
Name :	TWO GAS CYLINDER LIFTING CARRIER IN VERTICAL POSITION		
Type :	NLPV2 401/0,232-0,36/1,8		
Drawed by:	Emi Čuhel		
Authorized :	Ing.Karel Engliš		
Nr.of Drawing	415M60-0600		